

*Cleaning Technology
Municipal Technology
Waterjet Technology*

Hako



Multicar M29

The compact all-rounder

365 days, countless applications – one vehicle!



Flexible design as standard: The quick-change systems of the Multicar M29. In the picture: robust attachment triangle for front attachments.

The Multicar M29: powerful – even in tight spaces!

Whether cleaning city areas or maintaining green areas in parks or at cemeteries: The Multicar M29 is the optimal vehicle for working in confined spaces. With a width of only 1.32 m, the vehicle can also be used on narrow roads and farm tracks – and manages payloads of up to 3.15 t.

All seasons flexibly under control

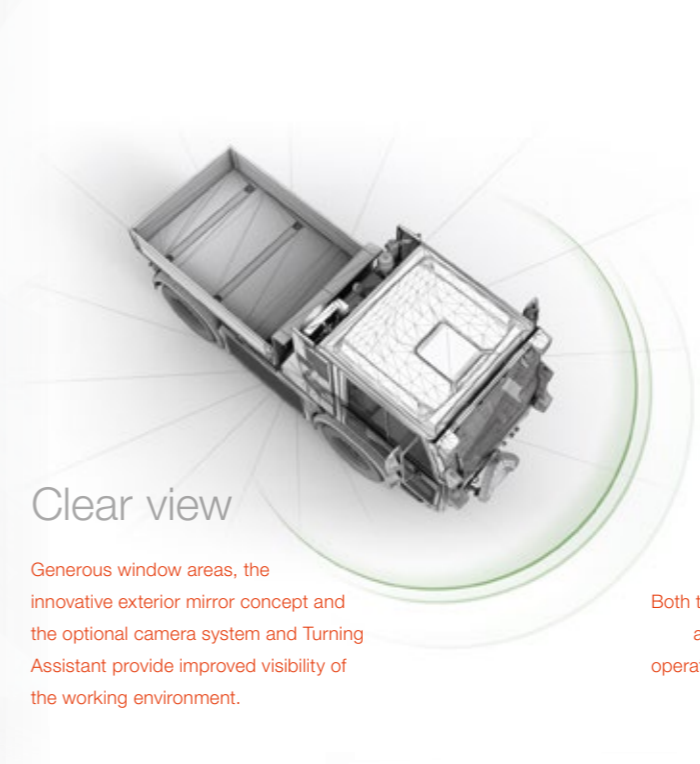
Sweeping in the spring. Mowing in the summer. Leaf-blowing in autumn. Snow-ploughing in the winter. The application options of the Multicar M29 are virtually unlimited. Thanks to the modular concept, the narrow-gauge load and implement carrier is extremely flexible for a wide range of applications. Especially in situations where manoeuvrability and a compact design are called for. In the municipal sector as much as in gardening &

landscaping and in waste management. A genuine all-rounder – characterised by one thing above all: economically efficient working. And with up to 62 km/h it always gets quickly to the next job site.



High-quality products – developed in Germany!





Clear view

Generous window areas, the innovative exterior mirror concept and the optional camera system and Turning Assistant provide improved visibility of the working environment.

Ease of operation: Both the hydrostatic drive and attachment functions are operated centrally via joystick.



The passenger area can be individually designed – with an additional seat, storage box or as an open space.



Complete overview, easy to operate – also in drive mode. Working in the vehicle is both comfortable and safe.

The standard full-LED lighting illuminates the work area at any time of day.

More space for performance!

The spacious, ECE-R29-tested cab offers maximum freedom of movement – and the greatest possible flexibility. Because the passenger area can be individually equipped and thus adapted to the driver's needs. Large glass surfaces, the optional roof and rear window and other well-thought-out options improve the view onto the working area – and thus also safety.



Saves time: With its top speed of 62 km/h, the Multicar M29 can even use motorways and express roads – which reduces travel times from one job site to the next significantly.

Back-friendly working

The workplace in the Multicar M29 is designed to be particularly back-friendly: from easy entry and exit to the ergonomic seat with individually adjustable seating options to the reduction of shocks and vibrations.



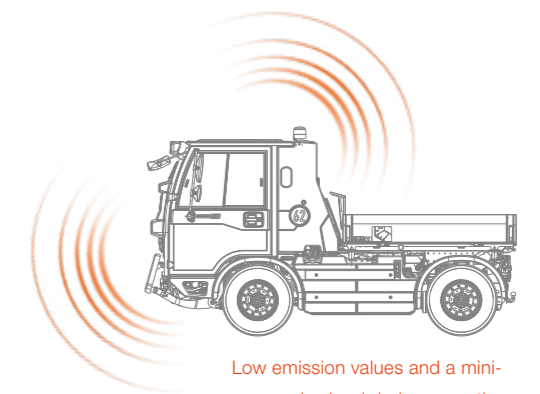
AGR quality label: Awarded for the back-friendly overall machine concept comprising the workplace, the chassis and the quick-change system.

Small turning circle for big tasks

U-turns in small spaces – this is made possible by the all-wheel steering: With its turning circle of only 3.25 m, the Multicar M29 is the perfect vehicle for working in confined areas.

All functions at a glance. Also in operating mode!

Clearly structured: The vehicle's operating elements are ergonomically designed to ensure easy operation of all functions and just as easy changing of attachments!



Low emission values and a minimum noise level during operation: The Multicar M29 can even work in environmental zones and other sensitive areas.



The basic unit for a wide range of applications: Various attachments and superstructures can be mounted in a few simple steps via three interfaces.



Everything is possible!

From top-mounted spreaders to aerial work platforms: The Multicar M29 can be quickly and easily equipped for almost any tasks with a large selection of attachments and superstructures. Whether in transport, agriculture, or municipal applications such as cleaning traffic areas and maintaining green areas or as an implement carrier for special hydraulic tools.



Maximum adaptability

Front attachments and superstructures, rear attachments or trailers: The modular concept of the Multicar M29 has been designed for a large number of applications with a wide range of different attachments. This enables particularly economical operation in areas where different tasks arise – no matter whether its seasonal tasks spread over the year or different jobs that need to be carried out on the same working day.



Green area maintenance



Sweeping



Winter service



Wet cleaning



Waste management



Transport



Road maintenance



Special applications



Waterjet technology



Weed control





There are many different options when it comes to removing foliage in autumn. The Multicar M29 uses them all – thanks to the wide range of quick-change attachments available.

Increased thrust power when the going gets tough.

The infinitely variable hydrostatic drive is additionally mechanically assisted – to help adapt the working speed to the tasks at hand and provide power reserves when working uphill.

Fully prepared in autumn

For all green jobs: leaf vacuuming, hedge trimming, weed removal and grass mowing. And when the first snow falls in autumn, the Multicar M29 can be quickly converted for light winter service.

Multi-functionality without compromise

Used as an implement carrier, the vehicle is the ideal basis for carrying out any kind of municipal cleaning or maintenance task. Given the wide range of components available, the Multicar M29 can carry out these tasks all year round: The range of equipment comprises everything from sweepers to snow ploughs so that the basic unit can be used efficiently on 365 days a year.





SAFETY FIRST



Nr. 201537317

Safety standards of the highest level

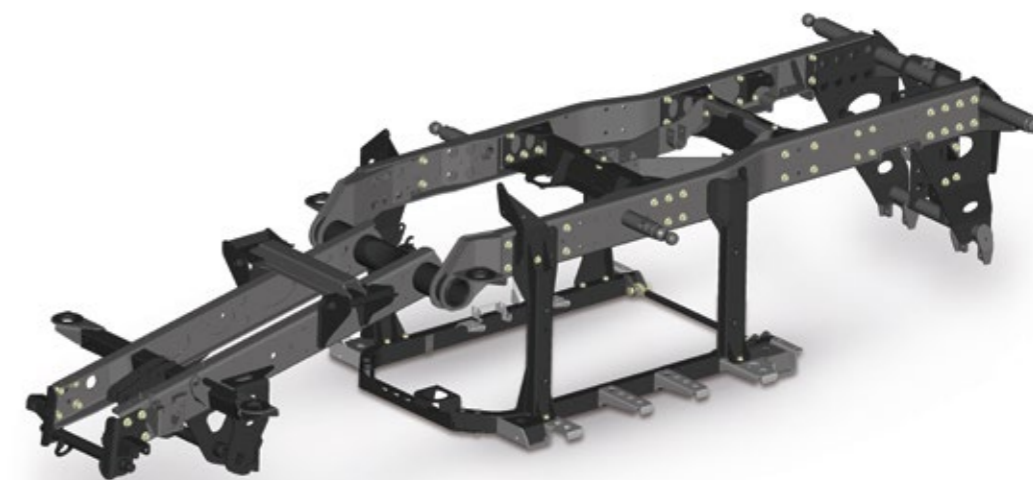
Safety starts with the vehicle concept. When developing our products, we follow the same high standards that apply in the truck construction industry, which includes all-wheel drives as well as disc brakes and an integrated hydrostatic ABS. Full LED lighting as standard, large-area reflectors, brightly lit LED rotating beacon – all for the safety of the user. We attach a great deal of importance to the quality of our components in order to ensure both safety and durability. After extensive testing, we can guarantee the safety and durability of our machines.

The driver's safety is very important to us. This is why our driver's cabs are tested according to ECE-R29 (occupant protection).



For more safety on the road

Elaborately spring-mounted heavy-duty commercial vehicle axles 'made in Germany' provide the high payload of the Multicar M29 and ensure safe driving and operation. The heavy-duty frame, providing stable road-holding characteristics in all operating situations, is another aspect of the safety concept.



The frame construction of the Multicar M29: Made of high-quality material and manufactured in Germany, robust and stable – the basis of a safe vehicle.



The "big plus" for maintenance work: Hako vehicles are equipped with special 4-point attachment systems that enable efficient working on the vehicle.

Machine availability: 100 %!

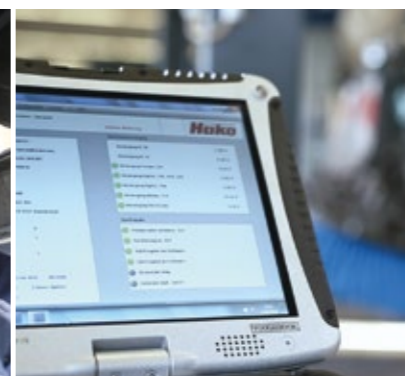
With our top service as well as individual service options and agreements, we provide the security you need if the worst comes to the worst. And in the event of minor faults, a Hako service technician with a fully equipped service vehicle is quickly on site.



Fits perfectly: we guarantee overnight delivery of precision-fit original Hako spare parts for your machines.

The experts for your vehicle

Regular maintenance as well as repairs are carried out exclusively by experienced and trained service technicians in modern workshops. This reduces workshop visits to a minimum.

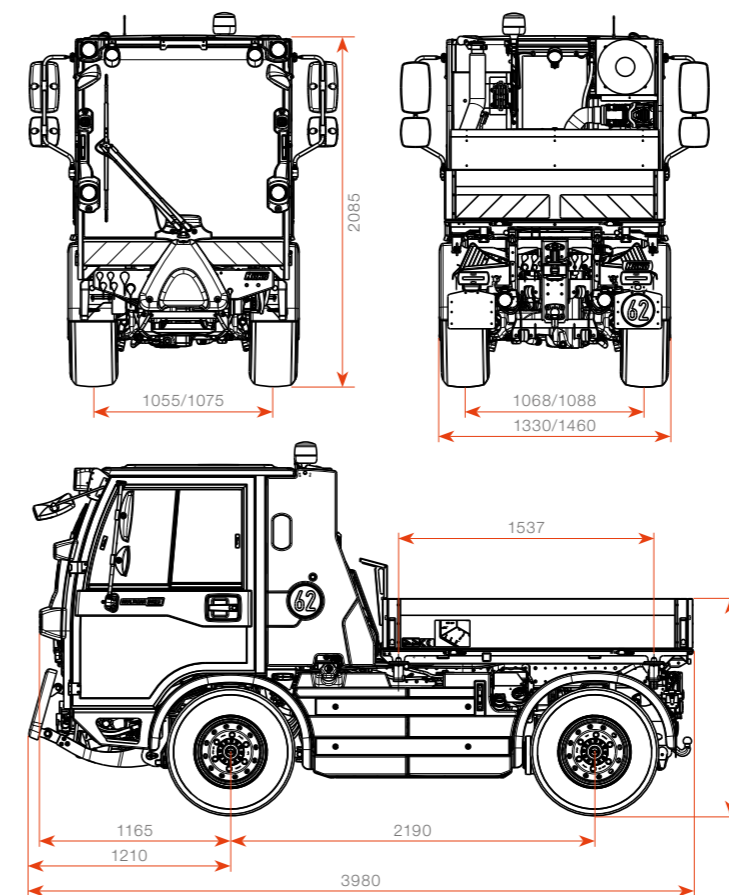


The Multicar M29 at a glance

Technical data

	Multicar M29 C	Multicar M29 C HK
Engine and transmission		
Engine	VM four-cylinder turbo diesel, according to Euro VI	
Displacement/output	2,970 cm ³ / 80 kW (109 HP) at 2,600 rpm	
Max. torque	420 Nm at 1,100 rpm	
Working characteristics		
Working hydraulics	powerful standard hydraulics with 1 working circuit – front and rear – gear pump, 55 l/min, 200 bar lifting/swivelling function for front attachment	load-sensing hydraulics with 2 working circuits – 1 circuit each front and rear – axial piston variable displacement pump, 0 ... 110 l/min front, 0 ... 70 l/min rear, 200/300 bar – gear pump for control functions lifting/swivelling function for front attachment
Hydraulic options a.o.	2 working circuits – 1 circuit each front and rear – Tandem gear pump, 2 x 55 l/min, 200 bar Summation circuit (max. up to 110 l/min front or 70 l/min rear) path-dependent spreading via vehicle hydraulics, further control functions	path-dependent spreading via vehicle hydraulics, further control functions
Implement mount front, optional	front lift with attachment triangle, attachment plate M29 or DIN F4 equipment plate	
Implement mount rear	on tipper or tipper bearing, rear attachments	
Drive and control		
Drive	continuously variable hydrostatic drive, electronically controlled, with two driving speeds that can be switched under load	
Drive options	selectable all-wheel drive, rear differential lock, mechanical creeper gear	
Speed in transport mode	0–62 km/h, infinitely variable	
Speed in working mode	0–25 km/h, infinitely variable	
Steering	front-wheel steering; optional four-wheel steering	
Fuel tank capacity	67 litres	
Brake	hydraulic 2-circuit brake system, disc brakes front/rear, hydrostatic ABS acting on all four wheels; mechanical parking brake acting on rear axle	
Load values		
GVW	6.0 t	
Empty weight*	from 2.85 t (implement carrier, depending on the equipment)	
Payload**	from 3.15 t (implement carrier, depending on the equipment)	

*Without optional equipment or additional attachments/superstructures
**Optional equipment and attachments/superstructures reduce the payload



For even more efficient working: Optional equipment for your Multicar M29

For example all-wheel steering and air conditioning, trailer coupling or reversible fan and many more practical details. Please ask your Hako-Sales and Service Partner.

	Multicar M29 C	Multicar M29 C HK
Driving characteristics		
Chassis	comfortable suspension with coil springs, hydraulic vibration dampers and additional rubber springs	
Frame	welded ladder frame; cranked and inclined at the front for easy access; possibility of feeding through a suction hose (central suction, e.g. mower-suction combi)	
Axles	rigid axles, guided at the front on trailing arms and Panhard rod, rear guided by triangular and longitudinal links, stabiliser at the rear	
Front axle	steering axle, optional steering drive axle	
Rear axle	drive axle, optional steering drive axle, optional with engageable differential lock	
Tyres	225/75 R 16 C	
Cab	space-frame full-comfort cab with high-strength special profiles and plastic panelling, optional heated windscreen	

Form, colour and design are subject to change in favour of further technical development. Pictures may show optional equipment.

Dimensions according to VO (EU) No. 1230/2012, depending on equipment



Economical right from the start

Hako-Fleet-Management

Hako's online-based fleet management system records all important key data of the machines in use and processes them centrally. The information can be accessed at any time via your PC or mobile device. view.X enables the economical use and management of your machine fleet. In addition, view.X.live transmits important operating data almost in real time. The optional electronic machine access authorisation entry.X only allows authorised users to use the machine.



Attractive financing alternatives

High-performance machines and excellent service in a complete package with fixed calculable costs over the entire period of use. Tailored to your individual needs and with maximum flexibility.



Leasing options – customised to meet individual customer requirements.

Rental contract ALL-IN-plus: financing, maintenance and insurance included!

Hire-purchase – customised monthly payments in line with your liquidity.

Adapt your rental payments to your seasonal earnings.

Hako GmbH
 Hamburger Str. 209-239
 23843 Bad Oldesloe
 Tel. +49(0) 4531- 806 0
info@hako.com
www.hako.com



Blue Competence is an initiative of VDMA (www.vdma.org). By engaging in this partnership, we are committed to comply with the twelve sustainability principles applied in the field of mechanical and system engineering (www.bluecompetence.net/about).